



T&S BRASS AND BRONZE WORKS, INC.

2 Saddleback Cove / P.O. Box 1088
Travelers Rest, SC 29690

Model No.

B-0237

Item No.

Travelers Rest, SC: 800-476-4103 • Simi Valley, CA: 800-423-0150 • Fax: 864-834-3518 • www.tsbrass.com



ADA Compliant

This Space for Architect/Engineer Approval

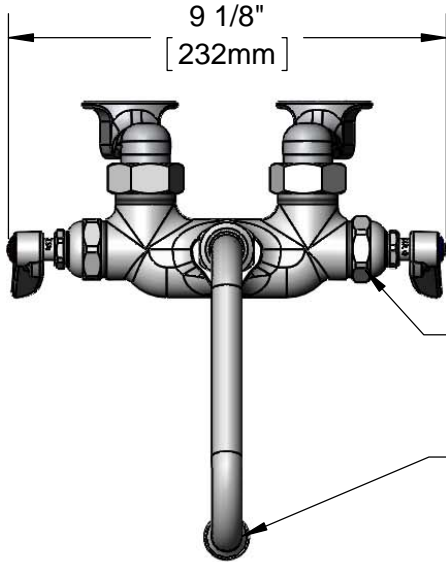
Job Name _____ Date _____

Model Specified _____ Quantity _____

Customer/Wholesaler _____

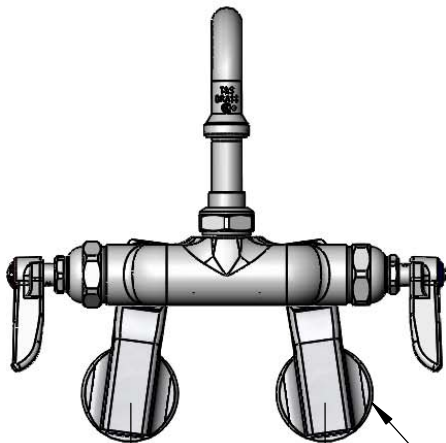
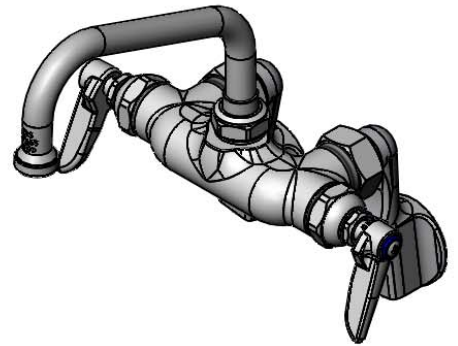
Contractor _____

Architect/Engineer _____



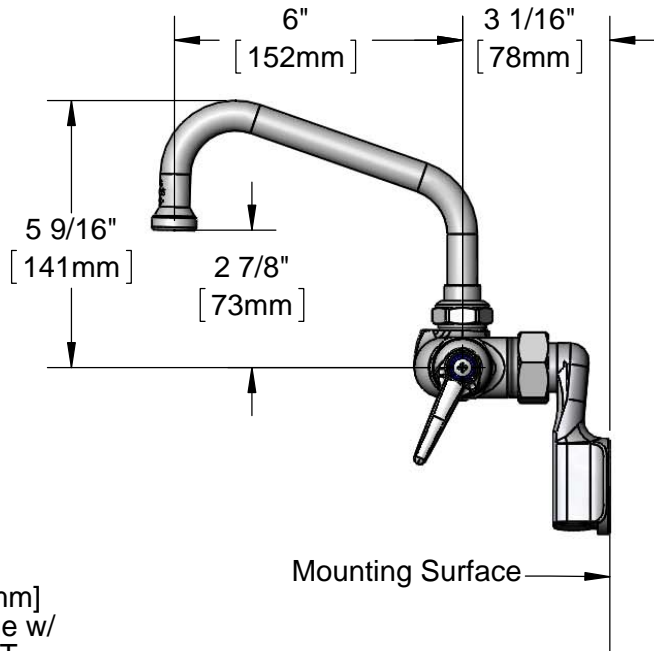
Eterna Cartridges &
Lever Handles w/
Color Coded Indexes

059X
6" Swing Spout w/
Stream Regulator Outlet



4 1/16"
[103mm]
Adjustable from
2 1/4" to 8 1/4"
[57mm to 210mm]
Above or Below
Centerline

Ø 2" [51mm]
Wall Flange w/
1/2" NPT
Female Inlet



Mounting Surface

Product Specifications:
Combination Sink Faucet, Eterna Cartridges, 6" Swing Nozzle
w/ Stream Regulator Outlet, Lever Handles & Adjustable Inlets

Product Compliance:
ASME A112.18.1 / CSA B125.1
NSF 61 - Section 9
NSF 372 (Low Lead Content)
ANSI A117.1 (ADA)



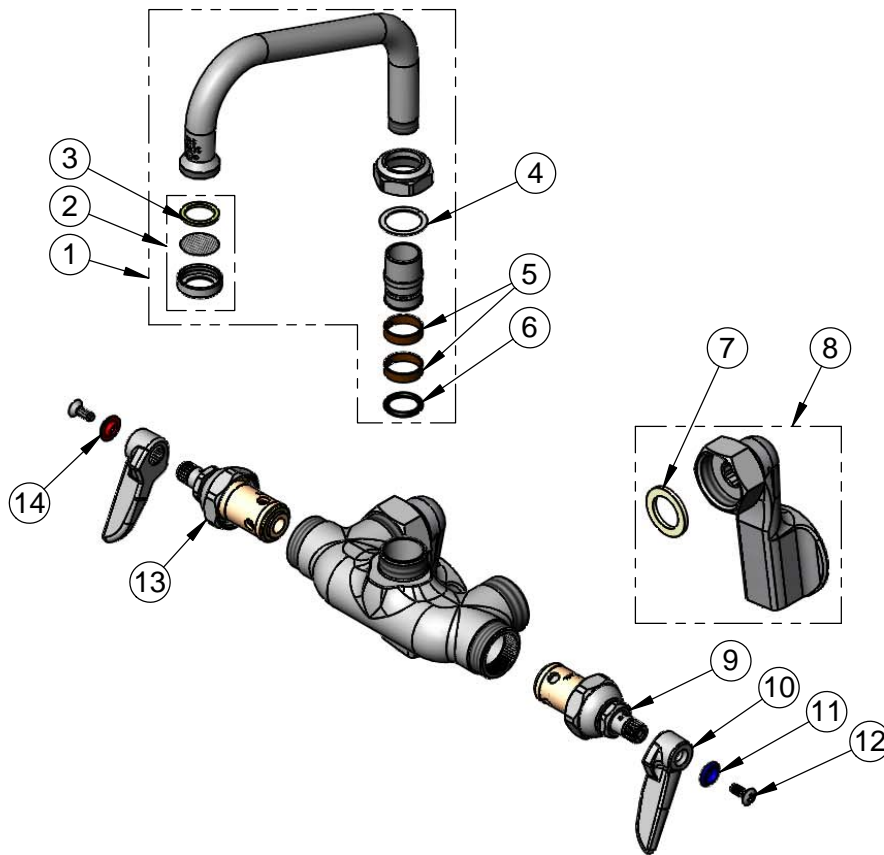
T&S BRASS AND BRONZE WORKS, INC.
 2 Saddleback Cove / P.O. Box 1088
 Travelers Rest, SC 29690

Model No.
B-0237

Item No.

Travelers Rest, SC: 800-476-4103 • Simi Valley, CA: 800-423-0150 • Fax: 864-834-3518 • www.tsbrass.com

ITEM NO.	SALES NO.	DESCRIPTION
1	059X	6" Swivel Nozzle
2	B-PT	Stream Regulator Outlet
3	001048-45	Nozzle Tip Washer
4	009538-45	Swivel Washer
5	011429-45	Swivel Sleeves (2)
6	001074-45	O-Ring
7	001019-45	Coupling Nut Washer
8	00GG	1/2" NPT Female Adjustable Flange
9	005959-40	Eterna Cartridge, LTC
10	001638-45	Lever Handle
11	001660-45	Blue Index-CW
12	000922-45	Lever Handle Screw
13	005960-40	Eterna Cartridge, RTC
14	001661-45	Red Index-HW



Product Specifications:
 Combination Sink Faucet, Eterna Cartridges, 6" Swing Nozzle
 w/ Stream Regulator Outlet, Lever Handles & Adjustable Inlets

Product Compliance:
 ASME A112.18.1 / CSA B125.1
 NSF 61 - Section 9
 NSF 372 (Low Lead Content)
 ANSI A117.1 (ADA)